

Features

Meets or exceeds ITE specifications.

Design provides minimum weight but maximum rigidity and strength.

HOUSING - One-piece die-cast aluminum unit with serrations in 5° increments at each end. Each housing has provisions for mounting two terminal blocks and attaching back-plates. Housings may be fastened together to make multi-section signals. The 8" and 12" housings can be intermixed to form combination signals.

DOOR - One piece die-cast aluminum unit equipped with stainless steel hinge pins. Two stainless steel captive eyebolts and wing nuts permit easy access to the inside of the housing.

VISOR - One piece formed aluminum unit. The removable twist-on visor is secured to the door with stainless steel hardware. Cut-away, tunnel, and full circle visors are available. Louvered insert available.

REFLECTOR - A separately hinged, ALZAK® reflector is standard. Glass is also available.

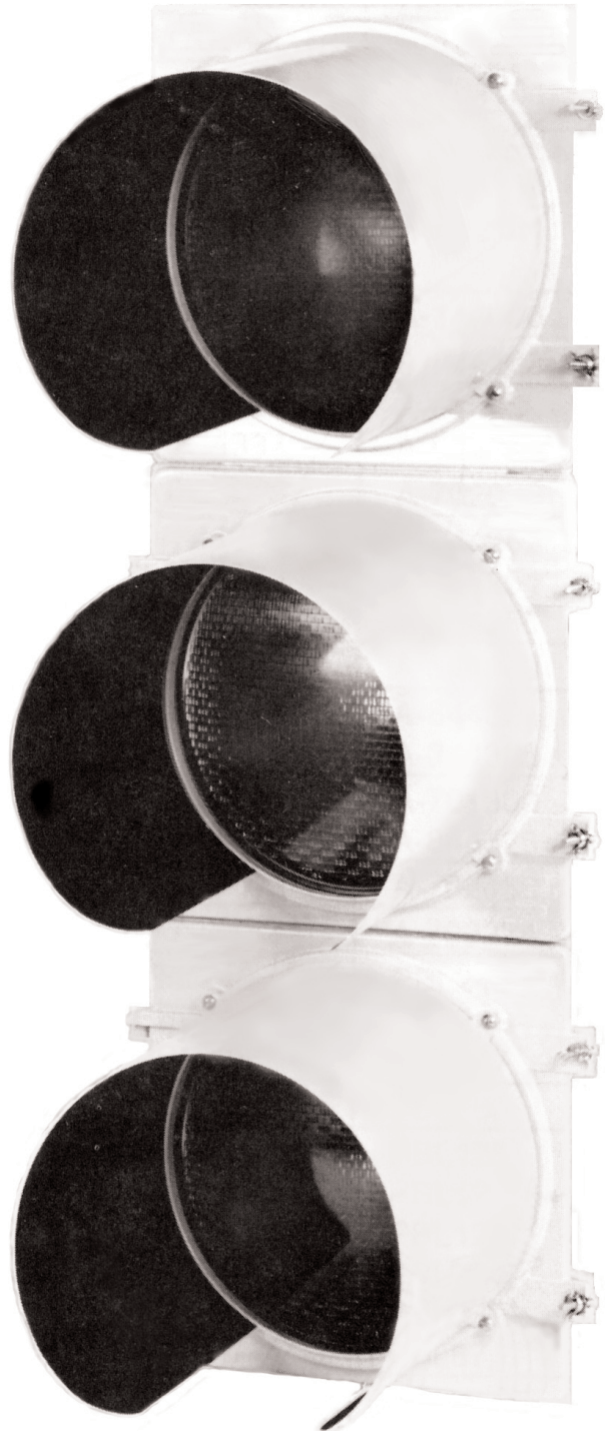
LENS - Conforms to ITE specifications. The standard lens is polycarbonate capable of withstanding illumination by a standard traffic signal lamp without physical distortion. A glass lens is also available.

GASKETS - A molded one piece lens gasket is used to seal the lens to the reflector assembly and door to form a sealed unit. A second gasket between the door and the housing assures the weather tight quality of the unit.

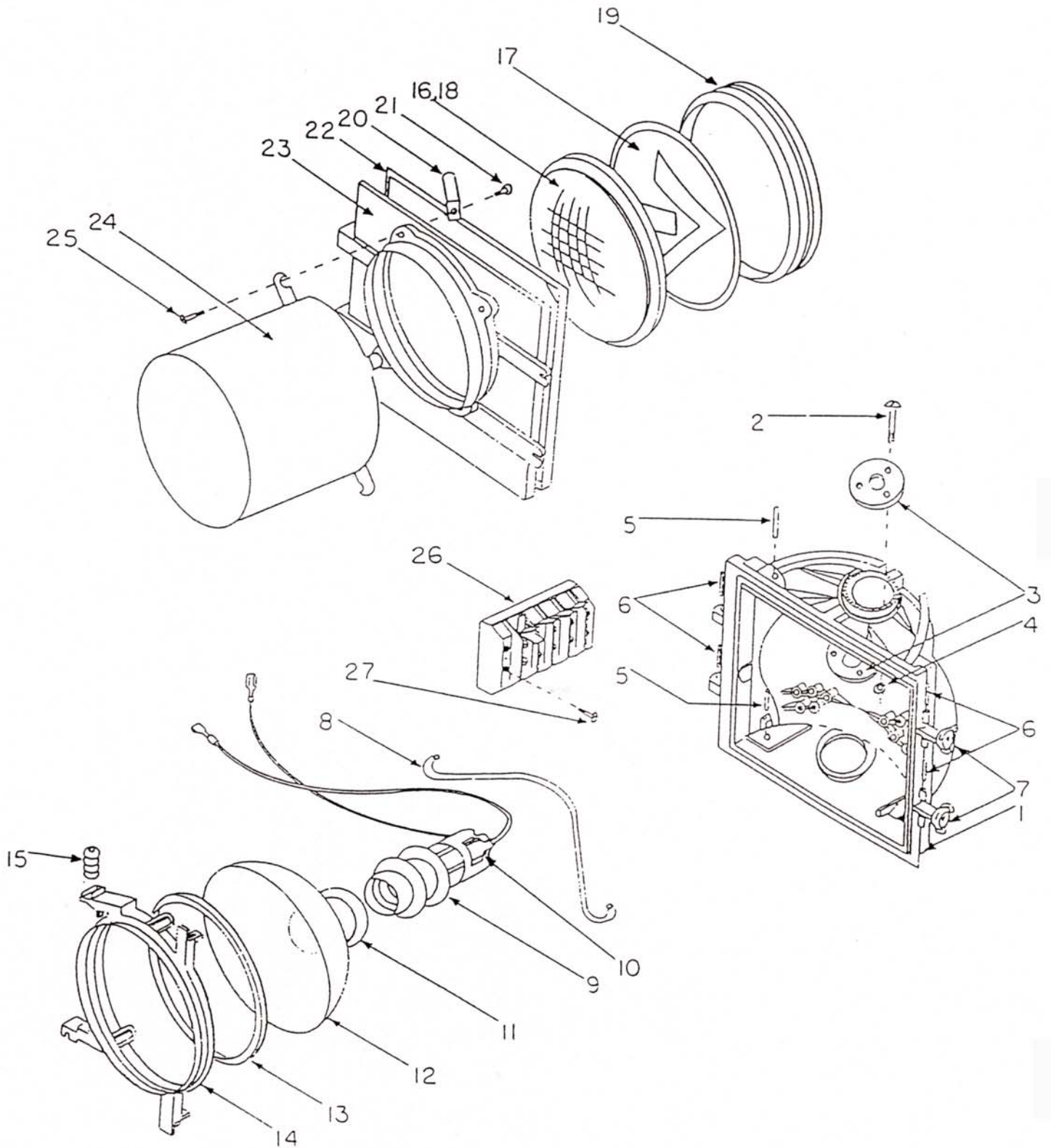
LAMP SOCKET - Insulated, prefocused, and may be rotated for positioning the lamp filament without using tools.

POSITIVE POSITIONING - Positive positioning and locking is achieved through the use of serrated brackets, mast arm, or span wire fittings.

COATING - Powder paint



VEHICLE SIGNALS
(ALUMINUM)



replacement parts

**8" (200mm) &
12" (300mm)
traffic signals**

Ref. No.	Description	Part Number	
		8" (200mm)	12" (300mm)
1	Signal Housing	A701820R	A701821R
2	Carriage bolt (1/4 - 20 x 1 3/4")	A701101	A701101
3	Clamping washer	M30417	M30417
4	Hex nut (1/4 - 20)	M30221	M30221
5	Type 2 grove pin, SS (8" - 3/16 x 1")	A844030	N/A
	Type 2 grove pin, SS (12" - 3/16 x 1 3/16")	N/A	A702181
6	Spiral pin, SS (3/16" x 1")	A144006	A144006
7	Wingnut eyebolt assy.	A844263	A844263
8	Socket holder wire (bail)	A701862	A844335
	Bail wire spring	A844337	A844337
9	Socket with brass screw shell	A702029	A702029
10	Lead assy. w/spade lugs, red	A844252	A844252
	Lead assy. w/spade lugs, yellow	A844251	A844251
	Lead assy. w/spade lugs, green	A844250	A844250
11	Socket gasket	A844249	A844249
12	Reflector (glass)	A844244	A844324
	Reflector (alzak)	A844245	A844325
13	Reflector gasket, glass	A701299	A701300
	Reflector gasket, alzak	A844246	A844326
14	Die-cast reflector ring	A702159	A702158
15	Reflector ring spring	A702182	A702274
16	Lens, poly - red	PBL240	PBL246
	Lens, poly - yellow	PBL241	PBL248
	Lens, poly - green	PBL239	PBL247
17	Lens, arrow mask	N/A	PBL286
18	Lens, glass - red	PBL3	PBL125
	Lens, glass - yellow	PBL2	PBL124
	Lens, glass - green	PBL1	PBL123
	Lens, glass - red arrow	A844041	PBL234
	Lens, glass - yellow arrow	A844043	PBL233
	Lens, glass - green arrow	PBL114	PBL87
19	Lens gasket	A844248	A844328
20	Lens clip, generic	A84436155	A84436155
21	Lens clip screw, SS (10 - x 3/8")	A144479TF	A144479TF
22	Door gasket	A701630	A701630
23	Signal door	A844242R	A844322R

Ref. No.	Description	Part Number	
		8" (200 mm)	12" (300 mm)
24	Visor - tunnel	A852291 XX	A852307 XX
	Visor - cap	A852281 XX	A852305 XX
	Visor - full circle	A852283 XX	A852319 XX
25	Visor Screw (10 - 32 x 3/8")	A146082TF	A146082TF
26*	Terminal block, 4 pos. spade type	A182944	A182944
27	Machine screw, SS (6 - 32 x 3/4")	A16257312	A16257312

NOTE: VISOR COLOR

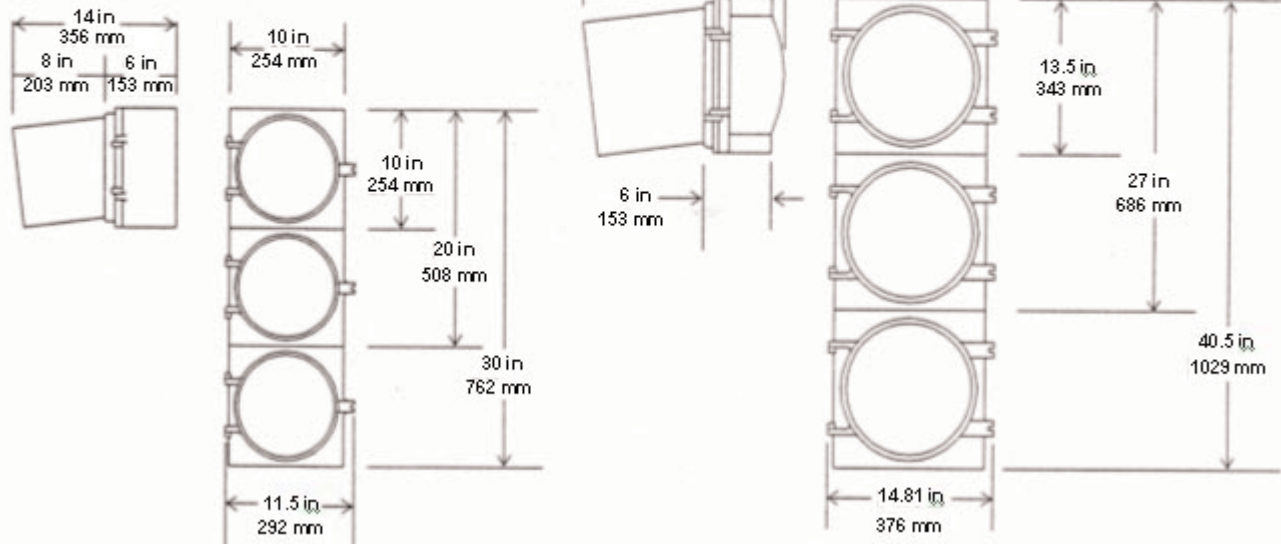
<u>XX</u>	<u>Color</u>
10	Medium Green
11	Dark Olive Green
12	Yellow
13	Gloss Black
14	Flat Black

* Terminal blocks - A four position spade type terminal block standard. A four position kliptite and a six position spade type are options.

The standard signal is composed of three die-cast aluminum body sections containing the optical unit, lens, door and visor. The basic construction design provides minimum weight combined with maximum rigidity and strength. It meets or exceeds ITE specifications.

12 in. (300 mm) SIGNAL DIMENSIONS

8 in. (200mm) SIGNAL DIMENSIONS



Weights	8" (200 mm)	12" (300 mm)
Single section with visor (approx.)	8 lbs. (3.63 kg)	14 lbs. (6.35 kg)
Housing	3 lbs. 13.8 oz. (1.75 kg)	5 lbs. 6.3 oz. (2.44 kg)
Door	1 lb. 2.2 oz. (.52 kg)	1 lb. 13.9 oz. (.85 kg)
Ring	3.5 oz. (.10 kg)	6.6 oz. (.19 kg)