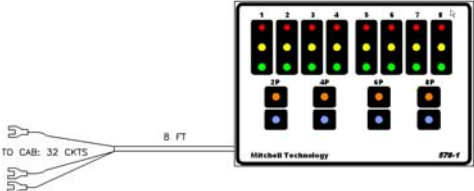
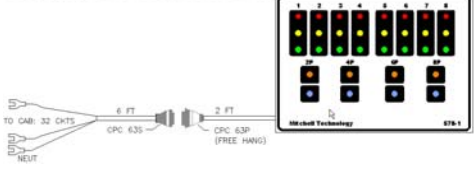
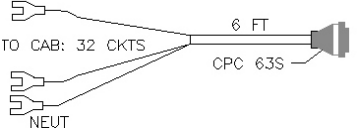
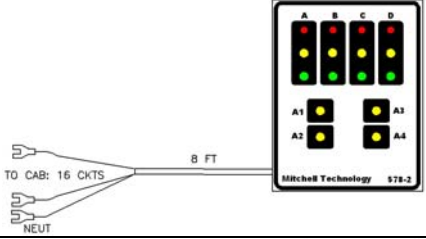
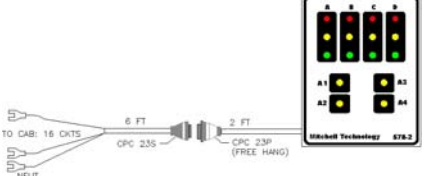
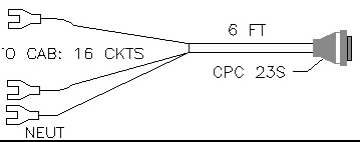


## Model 578 LED Test Display Model Selection Guide

<p>578-1 8 Phase standard display</p>		
<p>578-1A 8 Phase display, includes 1-1B cable</p>		
<p>578-1B Cable</p>		
<p>578-2 4 Phase Overlap, standard display</p>		
<p>578-2A 4 phase Overlap, includes 1-2B cable</p>		
<p>578-2B, cable</p>		
<p>578C With breakout for External Loads</p>	