

### Traffic Signaling Products



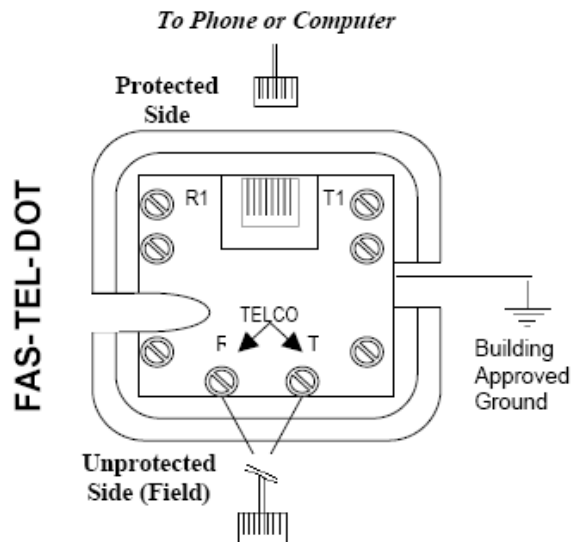
The **FAS-TEL-DOT** is a single pair Telephone Protector that implements an advanced three-stage hybrid design. This unit addresses over voltage transients with gas discharge tubes (GDT) and silicon breakover devices. Additionally, sneak and fault currents are mitigated with PTC technology, which consists of solid state resettable fuses. The **FAS-TEL-DOT** is specifically designed for more rugged applications such as traffic cabinets.



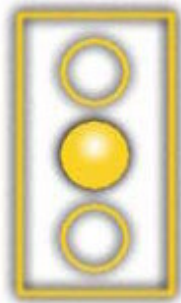
#### SPECIFICATIONS

Operating Voltage	220 VDC
Clamping Voltage	270 VDC
Operating Current	0.15 A
Peak Surge Current	10kA
Frequency Range	0 to 20 MHz
Insertion Loss	< 0.1 dB at 20 MHz
SPD Technology	GDT, Silicon Breakover w/ PTC
Connection Type	Term block, comp.lug IN / RJ OUT
Operating Temperature	-40 C to +85 C
Dimensions (Inches)	1H x 2W x 2L
Weight	2 oz

#### INSTALLATION



**Keeping  
You  
Connected!**



**NEED HELP?  
Call 1-800-648-4076**

1805 N.E. 19th Avenue  
P.O. Box 1778  
Ocala, Florida 34478  
(352) 732-3029  
FAX (352) 867-1237  
Sales: 1-800-648-4076  
E-mail us at:  
edco@edcosurge.com  
Internet:  
http://www.edcosurge.com

