

Traffic Signaling Products

SHP300-10 120VAC / 1Phase

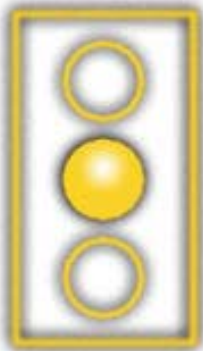


The **SHP300-10** is an advanced traffic cabinet AC Service surge protector. This superb hybrid protector was designed from the outset with the NEMA transient withstand specification in mind. The maximum clamp voltage of the protector (even at 20kA) is under 350 volts, which provides nearly a 50% safety margin when coordinated with NEMA TS1-2.1.6.2.

Flexibility of installation is another design feature of the **SHP300-10**. The protector first and second stages are electrically separate (line side) for use in jurisdictions that require a line filter between stages. In addition, the first stage provides 20,000 ampere protection from MAIN NEUTRAL to GND as well as MAIN LINE to GND. This is an often overlooked feature which becomes significant in locales where NEUTRAL must be kept separate from earth ground inside the cabinet.

The **SHP300-10** hybrid design exhibits performance levels unattainable with simple "shunt type" protectors. The two active clamp stages, large inductor and shunt capacitance effectively halt high rate-of-rise surge waveforms, thus preventing initial voltage overshoot. The output clamp voltage is never allowed to exceed 340 volts, even when subjected to a 20kA, 6 x 20µs waveform.

Keeping
You
Connected!



NEED HELP? Call 1-800-648-4076

1805 N.E. 19th Avenue
P.O. Box 1778
Ocala, Florida 34478
(352) 732-3029
FAX (352) 867-1237
Sales: 1-800-648-4076
E-mail us at:
edco@edcosurge.com
Internet:
<http://www.edcosurge.com>



FEATURES
• Multi-stage Hybrid
• Nanosecond Response Time
• Blocks High Energy Surges
• Incorporates Series Choke
• 120VAC Single Phase

CAUTION
1. This product could become excessively hot and rupture in the rare event of power line conditions or surge that exceeds its rated operating specification. Appropriate precautions should be exercised.
2. High voltages are present on electrical termination. Unit should be serviced by qualified personnel only.

SPECIFICATIONS	
Peak Current (8x20µs)	20,000 Amps*
Occurrences	20 times minimum @ peak current
Clamp Voltage	340 volts @ 20kA
Response Time	voltage never exceeds 340V during surge
Series Inductance	200µH (typ.)
Continuous Serv. Current (120VAC, 60 HZ)	10 Amps max.
Dimensions (LxWxH)	2.87 in. x 5.25 in. x 1.75 in.
Temperature Range	-40°C to +85°C
Weight	1.5 pounds

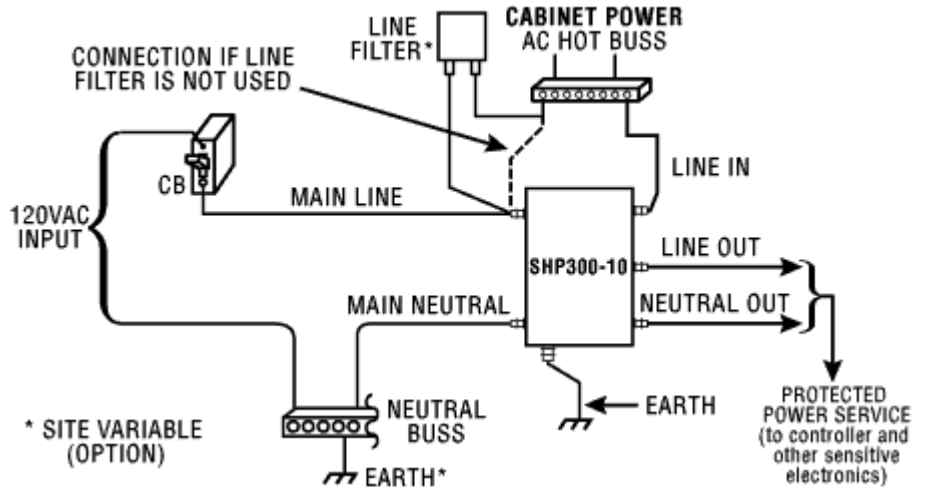
* Tested with MAIN NEUTRAL strapped to ground



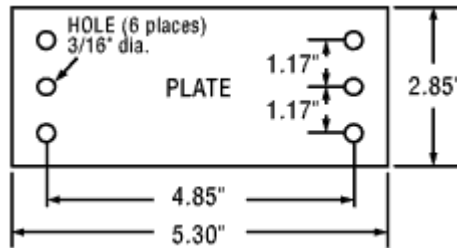
Traffic Signaling Products

SHP300-10
120VAC / 1Phase

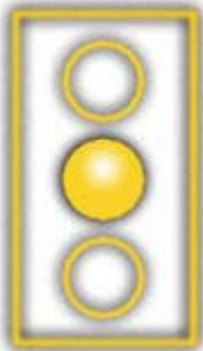
INSTALLATION



MOUNTING



Keeping
You
Connected!



NEED HELP?
Call 1-800-648-4076

1805 N.E. 19th Avenue
P.O. Box 1778
Ocala, Florida 34478

(352) 732-3029
FAX (352) 867-1237

Sales: 1-800-648-4076

E-mail us at:
edco@edcosurge.com

Internet:
<http://www.edcosurge.com>

