

Traffic Signaling Products



The **ACP-340** filtering surge protector absorbs power line noise and switching transients that other suppressors and RFI filters pass through.

The **ACP-340** can replace the RFI filter when high attenuation of noise above 25 Mhz is not required.

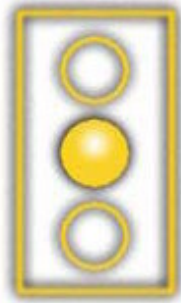


If random time-base, memory loss, or other problems are affecting some of your intersections, this state-of-the-art protector can be of great benefit when properly installed.

SPECIFICATIONS

Operating Voltage	120 VAC
Clamping Voltage	395 VAC
Operating Current	10A
Peak Surge Current	32.5 kA /Mode, 39 kA /Phase, 58 kA /Total
Operating Frequency	47-63 Hz
EMI Attenuation	40 dB typ
SPD Technology	MOV's w/ L-C Filter
Modes of Protection	L-N, L-G, N-G
Status Indication	NA
Connection Type	1/4-20 Stainless Steel Stud
Operating Temperature	-40 C to +85 C
Dimensions (Inches)	7.125L x 3.125W x 2.25H
Weight	1 lb 13.5 oz

**Keeping
You
Connected!**



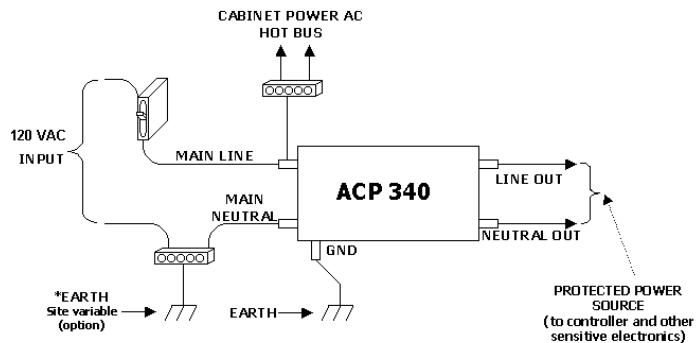
**NEED HELP?
Call 1-800-648-4076**

1805 N.E. 19th Avenue
P.O. Box 1778
Ocala, Florida 34478
(352) 732-3029
FAX (352) 867-1237
Sales: 1-800-648-4076

E-mail us at:
edco@edcosurge.com
Internet:
http://www.edcosurge.com



INSTALLATION



MOUNTING

