

Traffic Signaling Products



The **ACP-340LED** is an upgrade to the popular ACP-340, adding an LED for failure indication and much better lightning protection than the standard ACP-340.

The **ACP-340LED** utilizes Thermally protected Metal Oxide Varistors (TMOV's) with an integrated thermally activated element designed to open in the event of overheating due to the abnormal overvoltage, limited current conditions.

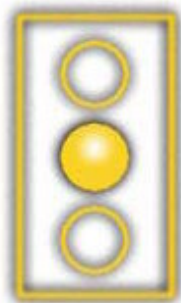


The **ACP-340LED** filtering surge protector absorbs power line noise and switching transients that other suppressors and RFI filters pass through. The **ACP-340LED** can replace the RFI filter when high attenuation of noise above 25 Mhz is not required.

SPECIFICATIONS

Operating Voltage	120 VAC
Clamping Voltage	395 VAC
Operating Current	15 A
Peak Surge Current	50 kA /Mode, 100 kA /Phase, 150kA /Total
Operating Frequency	47-63 Hz
EMI Attenuation	40 dB typ
SPD Technology	MOV's w/ L-C Filter
Modes of Protection	L-N, L-G, N-G
Status Indication	Power On & MOV's functional
Connection Type	1/4-20 Stainless Steel Stud
Operating Temperature	-40 C to +85 C
Dimensions (Inches)	1.875H x 3.25W x 5.75L
Weight	1 lb 2 oz

**Keeping
You
Connected!**



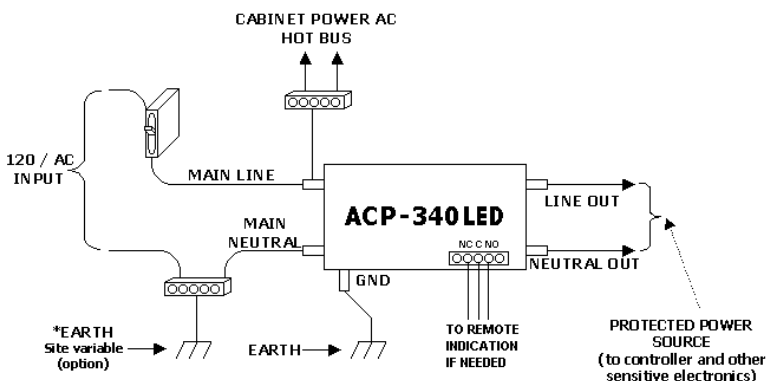
**NEED HELP?
Call 1-800-648-4076**

1805 N.E. 19th Avenue
P.O. Box 1778
Ocala, Florida 34478
(352) 732-3029
FAX (352) 867-1237
Sales: 1-800-648-4076

E-mail us at:
edco@edcosurge.com
Internet:
http://www.edcosurge.com



INSTALLATION



MOUNTING

