

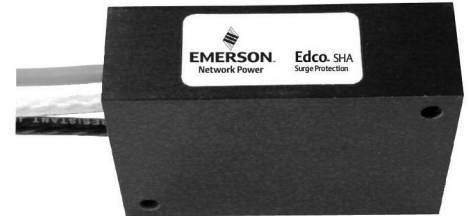
# Edco SHA 1201

Highway Protection for Type 170 Traffic Controller Cabinets

■ Surge Protection  
For *Business-Critical Continuity™*

The Edco SHA-1201 is specifically designed for type 170 Traffic Controller cabinets that require power neutral to remain isolated from cabinet earth ground. Protection is provided both between phase-to-neutral, and neutral-to-ground.

If neutral is bonded to earth ground in the cabinet, the Edco SPA-100T unit should be considered as a cost-effective alternate to the Edco SHA-1201.



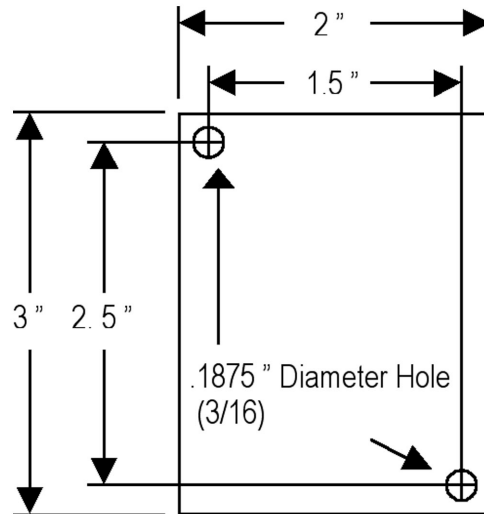
## General Technical Specifications

Operating Voltage	120VAC
Clamping Voltage	395VAC
Operating Current	NA, Parallel
Peak Surge Current	40 kA/Phase, 53kA/total
Operating frequency	47-63Hz
EMI Attenuation	NA
SPD Technology	MOVs
Modes of Protection	L-N, N-G
Status Indication	NA
Connection Type	Leads
Operation Temperature	-40°C to +85°C
Dimensions (Inches)	3L x 2W x 1H
Weight	6 oz

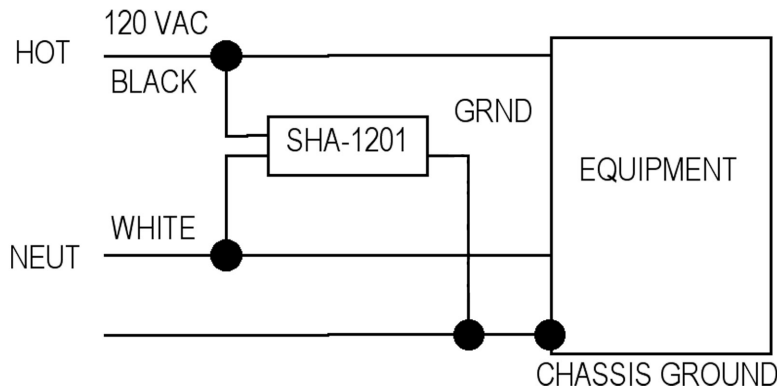
## Features

- 53 kA surge protection
- Fast response time
- Solid-state design
- Epoxy encapsulated
- 5 Year Warranty

## Mounting



## Installation



**Emerson Network Power.**  
The global leader in enabling  
*Business-Critical Continuity™*.

■ AC Power  
■ Connectivity  
■ DC Power

■ Embedded Computing  
■ Embedded Power  
■ Monitoring

■ Outside Plant  
■ Power Switching & Control  
■ Precision Cooling

■ Racks and Integrated Cabinets  
■ Services  
■ Surge Protection

**Emerson Network Power Contact information**

[www.emersonnetworkpower.com/surge](http://www.emersonnetworkpower.com/surge)

### Headquarters

Surge Protection  
100 Emerson Parkway  
Binghamton, NY 13905  
T: (607) 721-8840  
T: (800) 288-6169  
F: (607) 722-8713  
E: [contactsurge@emerson.com](mailto:contactsurge@emerson.com)

