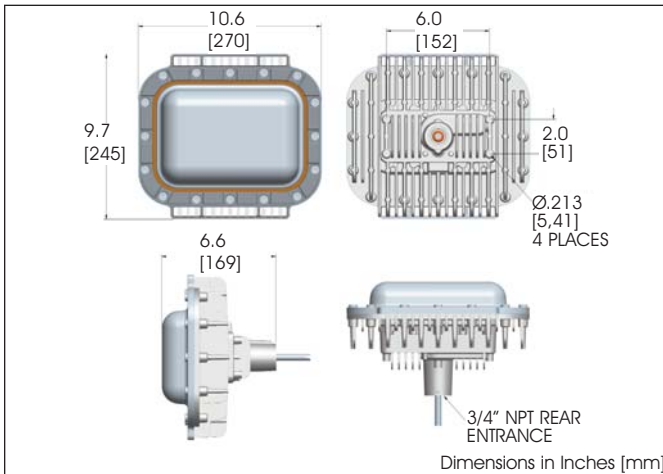


Dialight



Patent Pending

DuroSite® LED Area Light



Certifications

- Certified to UL 1598/A
- Certified to C22.2
- Nema 4X
- IP66

Features & Benefits

- L70 rated for >100,000 hours @ 25°C ambient
- 5 year full performance warranty
- Instant on/off operation
- Superior color rendition index compared to HPS, LPS, MV
- Mercury free
- Resistant to shock and vibration
- Temperature compensation technology for longer life
- Factory sealed

Application:

The DuroSite® LED area light represents the future of energy efficient facility illumination for industrial applications worldwide. The lighting fixture consumes at least 50% less energy than traditional HID light sources, while reducing maintenance and carbon emissions. This light incorporates both cutting edge LED technology along with proprietary optics to achieve area lighting comparable with other traditional light sources. Whether your application is in a work area or any other application, this fixture offers improved performance across the board.

Mechanical Information

Fixture Weight:	10lb (4.5 kg)
Shipping Weight:	12lb (5.44 kg)
Mounting:	(1) Threaded 3/4" NPT rear
Cabling:	10' (3.5m) SOOW Power Cord

Electrical specifications

Operating Voltage:	100 - 277V AC, 50/60 Hz or 347 - 480V AC, 50/60 Hz
Power Consumption:	See ordering information
Operating Temp:	-40°F to +149°F (-40°C to +65°C)
Noise Requirements/ EMC:	FCC Title 47, Subpart B, Section 15, class A device. RF Immunity; 10V/m, 80MHz-1GHz

Surge Protection

120 - 277V AC 50/60Hz:	1 kV line to line 2 kV line to ground
347 - 480V AC 50/60Hz:	6 kV line to line 6 kV line to ground

THD

120 - 277V AC 50/60Hz:	<15%
347 - 480V AC 50/60Hz:	<20%

Power Factor:	> 0.9
---------------	-------

Construction

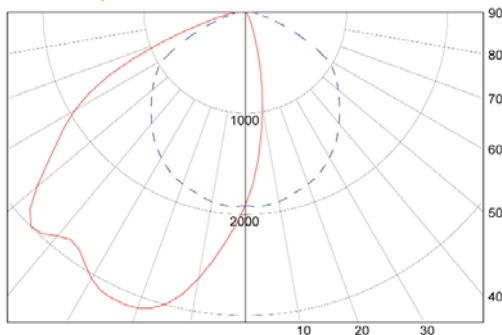
Housing:	Powder coated aluminum
Finish:	Polyester / epoxy powder coat gray RAL 7040 for superior corrosion resistance
Lens:	Polycarbonate

Photometric Information

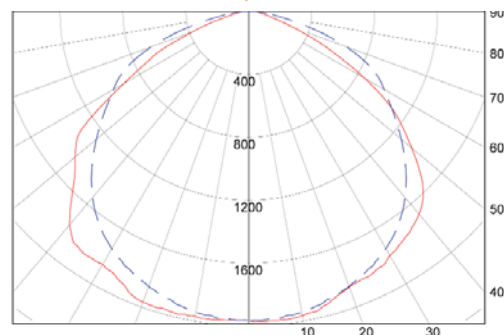
CRI:	70
CCT:	6,000K (cool white) 4,300K (neutral white)
Optics:	180° forward throw 360° circular pattern
IES Files:	Available upon request

All values typical unless otherwise state
All Lumen Values are typical (tolerance +/- 10%)

180° Optical Pattern Mounted at 45°



360° Optical Pattern



DuroSite® LED Area Light







Ordering Information

Part Number	Voltage	Optical Pattern ¹	CCT ²	Lumens	Wattage	LPW
STW8C2N	100 - 277V AC	180	CW	6,000	70	86
STW8C9N	347 - 480V AC	180	CW	6,000	70	86
STW9C2N	100 - 277V AC	360	CW	6,000	70	86
STW9C9N	347 - 480V AC	360	CW	6,000	70	86
STW4C2N	100 - 277V AC	180	CW	5,000	55	91
STW4C9N	347 - 480V AC	180	CW	5,000	55	91
STW5C2N	100 - 277V AC	360	CW	5,000	55	91
STW5C9N	347 - 480V AC	360	CW	5,000	55	91
STW2C2N	100 - 277V AC	180	CW	4,000	43	93
STW2C9N	347 - 480V AC	180	CW	4,000	43	93
STW3C2N	100 - 277V AC	360	CW	4,000	43	93
STW3C9N	347 - 480V AC	360	CW	4,000	43	93

¹180° optical pattern versions are optimized for a 45° mounting angle



²Part numbers listed in the above table are cool white. For neutral white version replace the 5th character with N Ex: STW2C2N becomes STW2N2N

Mounting Options

	Part Number	Description	Kit Includes
Stanchion Mount Junction Box			
	HZXSTAN100S	1.00" Slip-Fit Stanchion Mount Junction Box	Junction box mounting hardware
	HZXSTAN125S	1.25" Slip-Fit Stanchion Mount Junction Box	
	HZXSTAN150S	1.50" Slip-Fit Stanchion Mount Junction Box	
	HZXSTAN200S	2.00" Slip-Fit Stanchion Mount Junction Box	
	HZXSTAN100T	1.00" NPT Threaded Stanchion Mount Junction Box	
	HZXSTAN125T	1.25" NPT Threaded Stanchion Mount Junction Box	
	HZXSTAN150T	1.50" NPT Threaded Stanchion Mount Junction Box	
	HZXSTAN200T	2.00" NPT Threaded Stanchion Mount Junction Box	
Ceiling / Wall / Pole Mount Junction Box			
	HZXJB075	0.75" Ceiling / Wall / Pole Mount Junction Box	Junction box
	HZXJB100	1.00" Pole Mount Junction Box	
	HZXJB125	1.25" Pole Mount Junction Box	
	HZXJB150	1.50" Pole Mount Junction Box	
Ceiling / Wall / Pole Mount Junction Box and Photocell			
	HZXJB075PC1	0.75" Ceiling / Wall / Pole Mount Junction Box - with 120VAC Photocell	Junction box 120V AC photocell
	HZXJB100PC1	1.00" Pole Mount Junction Box - with 120VAC Photocell	
	HZXJB125PC1	1.25" Pole Mount Junction Box - with 120VAC Photocell	
	HZXJB150PC1	1.50" Pole Mount Junction Box - with 120VAC Photocell	
Stainless Steel bracket			
	HZXW3	Stainless steel bracket	Bracket Mounting hardware
	HZXW4	Stainless steel bracket with pipe clamp	Bracket Pipe clamp Mounting hardware
Safety Cable Kit			
	HZXSAFEKIT	Safety cable Kit	2 Eyelets 2 53" Safety cables Mounting Hardware

DuroSite® LED Area Light

Retrofit Options

	Part Number	Description	Kit Includes
	HZXTHCH	Retrofit adapter (see chart below for compatability)	Retrofit wiring box
	HZXTHAP	Retrofit adapter (see chart below for compatability)	Retrofit wiring box

Mounting Compatibility

HZXTHAP				
Pendant	Ceiling	Wall	Stanchion	Quad-Mount
KPA-75	KPCH-75	KPC-75	KPWB-75	KPS-125
KPA-100	KPCH-100	KPC-100	KPWB-100	KPS-150
KPAF-75				KPST-125
KPAF-100				KPST-150

HZXTHCH				
Pendant	Ceiling	Wall	Stanchion	Quad-Mount
APM2	CM2	TWM2	JM5	QM25
APM3	CM3	TWM3	PM5	

Mounting Options

Conduit



Pipe Clamp



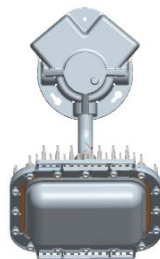
Stanchion



Retrofit Adapter



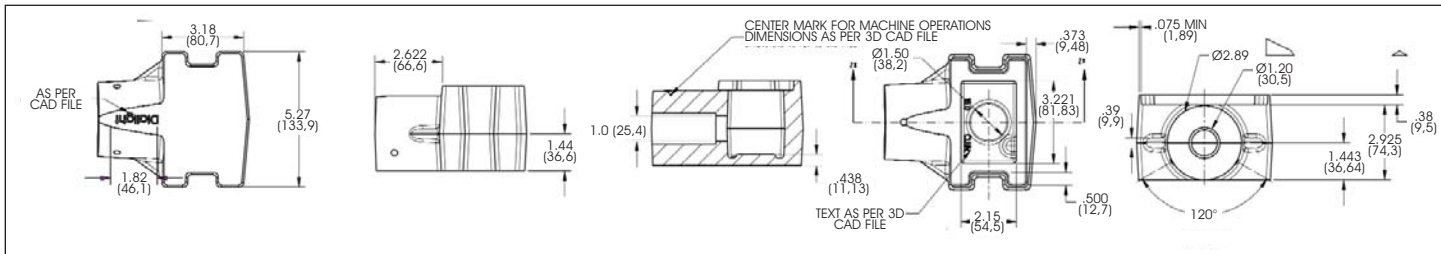
Junction Box



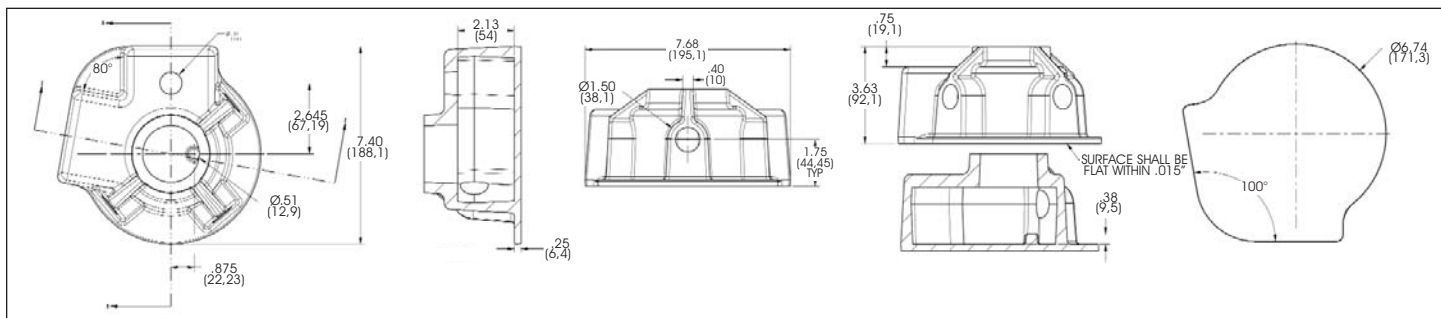
DuroSite® LED Area Light

Bracket Dimensions

HZXSTANXXXX

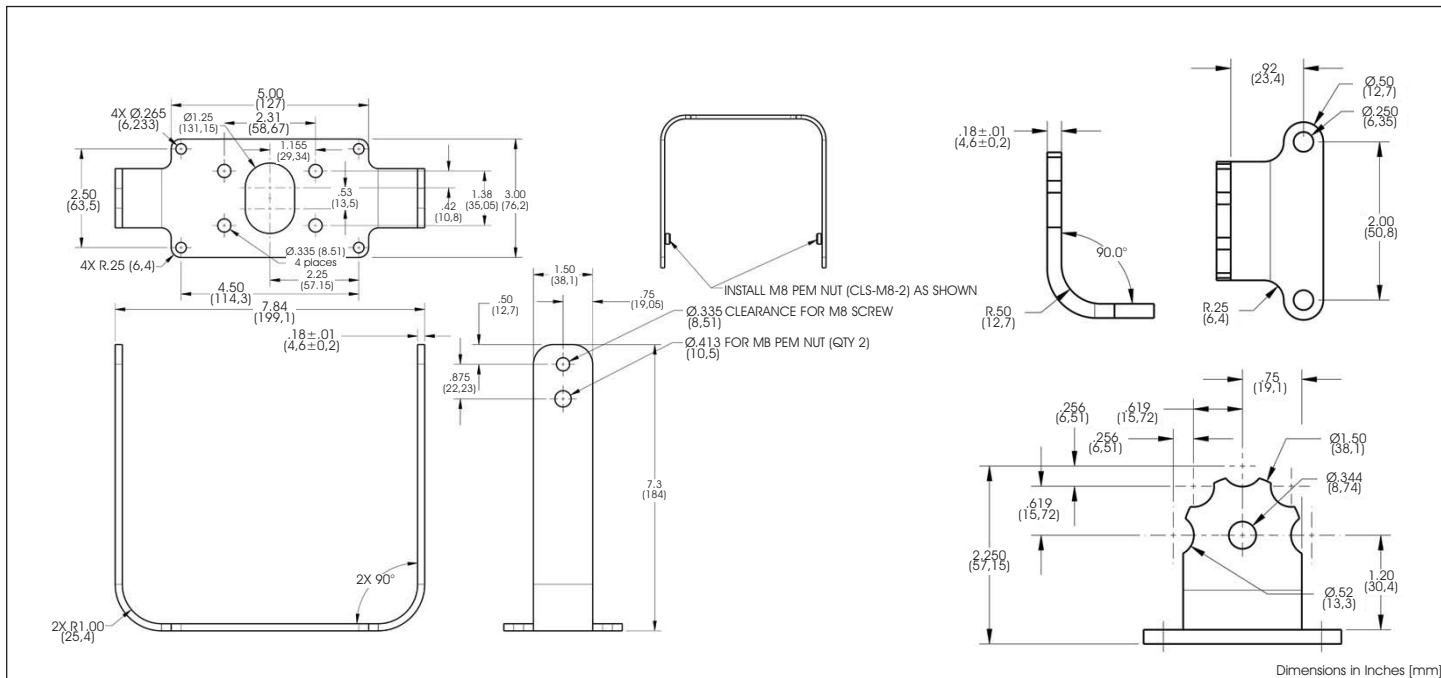


HZXJBXXX and HZXJBXXXXXX

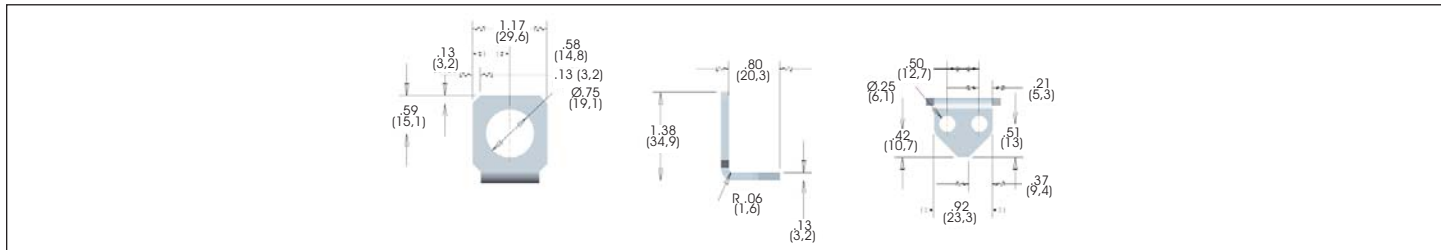


HZXW3 and HZXW4

Stainless steel, .25" thick and powder coated. HZXW4 will mount to 1.5" conduit and comes with pipe mount clamps.



HZXSAFEKIT



Dialight reserves the right to make changes at any time in order to supply the best product possible. The most current version of this document will always be available at: www.dialight.com/Assets/Brochures_And_Catalogs/Illumination/MDTFHHAZX001.pdf

Warranty Statement: EXCEPT FOR THE WARRANTY EXPRESSLY PROVIDED FOR [HEREIN/ABOVE/BELOW], DIALIGHT DISCLAIMS ANY AND ALL OTHER WARRANTIES, EXPRESS OR IMPLIED, INCLUDING, WITHOUT LIMITATION, ANY WARRANTIES OF MERCHANTABILITY, FITNESS FOR A PARTICULAR PURPOSE, TITLE, AND NON-INFRINGEMENT.