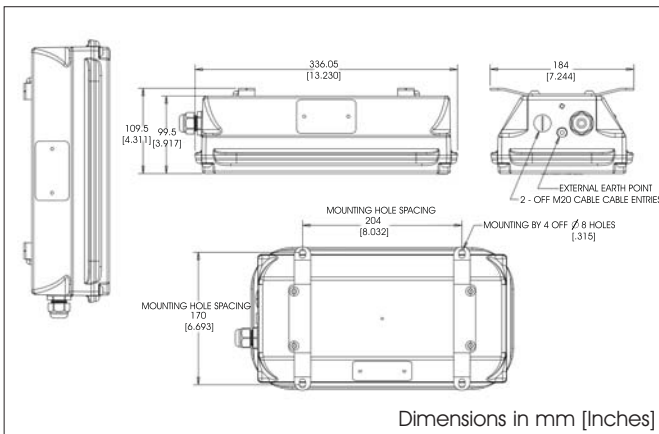




Patent #8,029,162

DuroSite® LED Wallpack / Bulkhead Fixture



Dimensions in mm [Inches]

Certifications & Ratings:

- CE Compliant to:
EN 55015: 2006 / EN 61547: 2009 / EN 60598: 2008
- UL 1598/A
- UL 8750
- CSA C22.2 NO.25
- IP 66/67
- RoHS compliant

Features & Benefits:

- L70 rated for >100,000 hours @ 25°C ambient
- 5 year full performance warranty
- Emergency exit sign kit options available
- Instant on/off operation
- Mercury free, lead free
- Resistant to shock and vibration
- Red and Green LED colour available upon request (MOQ applies for above colors, contact us at www.dialight.com)



Application:

The Dialight DuroSite® Bulkhead luminaire with its low profile rugged design ensures long life and high reliability for a wide variety of industrial applications. Offered in 11 watt, 22 watt and 34 watt versions, it is ideally suited for stairwells, platforms, exit, walkway, tunnel, subway and other industrial environments. Dialight offers flush, angle and adjustable mounting options for use with the DuroSite Bulkhead as well as a recessed housing.

Mechanical Information

Fixture Weight	
11W & 22W:	4.70kg (10.30 lbs)
34W	4.85kg (10.70 lbs)

Cable Entry: All cable entries are drilled and tapped see ordering options.

Electrical Specifications

Operating Voltage	
11W & 22W:	100-277V AC, 50/60 Hz or 24-48V DC
34W:	100-277V AC, 50/60 Hz

Total System Power Consumption: 11W / 22W / 34W

Operating Temp	
11W / 22W:	-40°C to +60°C (-40°F to +140°F)
34W:	-40°C to +50°C (-40°F to +122°F)

Noise Requirements / EMC: FCC Title 47, Subpart B, Section 15, class B device. RF Immunity; 10V/m, 80MHz-1GHz

Harmonics: EN 61000-3-2: 2006

THD: <15% @ 120V AC
<20% @ 230V AC

Surge Protection: 1 kV line to line
2 kV line to ground

Power Factor: > 0.9

Materials

Housing: Copper free LM6 alum cast

Finish: Light grey epoxy powder coated (RAL7001)

Finish options (MOQ applies): Black epoxy powder coated (RAL9005)
White epoxy powder coated (RAL9010)

Lens: High impact resistant clear glass
High impact resistant frosted glass

Mounting Brackets: 316 stainless steel

Stanchion Brackets: Copper free LM6 alum cast

Photometric Information

CRI: 70

CCT: 4,300K (neutral white)
5,650K (cool white)

IES Files: see www.dialight.com

All values typical unless otherwise stated
All lumen values are typical (tolerance +/- 10%)

DuroSite® LED Wallpack / Bulkhead Fixture

Ordering Information

Part Number	Voltage	Lens	Optic	CCT	Lumens	Wattage	LPW
WP-2C3L-NLGC	100-277 VAC	Clear Glass	Wide	CW	2,250	34	66
WP-2N3L-NLGC	100-277 VAC	Clear Glass	Wide	NW	2,250	34	66
WP-4C3L-NLGC	100-277 VAC	Clear Glass	Oval (35° X 55°)	CW	2,250	34	66
WP-4N3L-NLGC	100-277 VAC	Clear Glass	Oval (35° X 55°)	NW	2,250	34	66
WP-5C3L-NLGC	100-277 VAC	Clear Glass	Oval (55° X 35°)	CW	2,150	34	63
WP-5N3L-NLGC	100-277 VAC	Clear Glass	Oval (55° X 35°)	NW	2,150	34	63
WP-2C3H-NLGC	100-277 VAC	Clear Glass	Wide	CW	1,200	22	55
WP-2N3H-NLGC	100-277 VAC	Clear Glass	Wide	NW	1,200	22	55
WP-4C3H-NLGC	100-277 VAC	Clear Glass	Oval (35° X 55°)	CW	1,200	22	55
WP-4N3H-NLGC	100-277 VAC	Clear Glass	Oval (35° X 55°)	NW	1,200	22	55
WP-5C3H-NLGC	100-277 VAC	Clear Glass	Oval (55° X 35°)	CW	1,200	22	55
WP-5N3H-NLGC	100-277 VAC	Clear Glass	Oval (55° X 35°)	NW	1,200	22	55
WP-2C3C-NLGC	100-277 VAC	Clear Glass	Wide	CW	600	11	55
WP-2N3C-NLGC	100-277 VAC	Clear Glass	Wide	NW	600	11	55
WP-4C3C-NLGC	100-277 VAC	Clear Glass	Oval (35° X 55°)	CW	600	11	55
WP-4N3C-NLGC	100-277 VAC	Clear Glass	Oval (35° X 55°)	NW	600	11	55
WP-5C3C-NLGC	100-277 VAC	Clear Glass	Oval (55° X 35°)	CW	600	11	55
WP-5N3C-NLGC	100-277 VAC	Clear Glass	Oval (55° X 35°)	NW	600	11	55

Models shown are cool white, no bracket, clear glass for:

Angle bracket replace the 9th character with an **A** WP-2C3L-NLGC becomes WP-2N3L-**A**LG

Flush bracket replace the 9th character with a **F** WP-2C3L-NLGC becomes WP-2N3L-**F**LG

Frosted glass models replace the 12th character with a **F** WP-2C3L-NLGC becomes WP-2C3L-NLGC**F** (Frosted lens option will reduce lumen output by 6%)

Gland Entry Options

Standard Option
2 Entries One Side

2 Entries One Side,
1 Entry Opposite Side
Add **E** to the end of the order code

Rear Entry
Add **R** to the end
of the order code



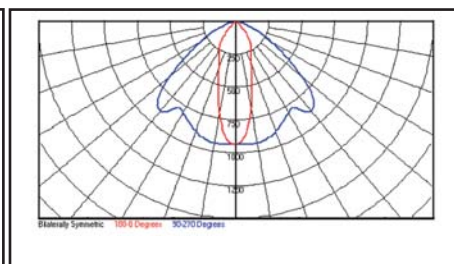
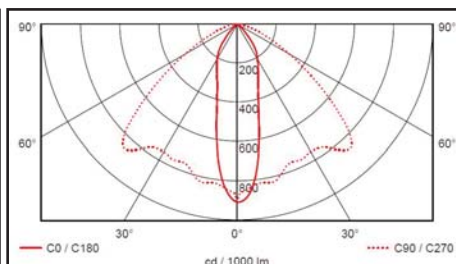
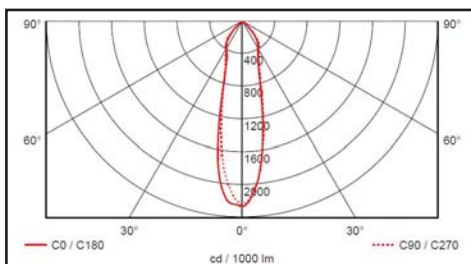
For gland size options and rear entry option please consult factory, MOQ applies.

Polar Plots

Wide Optic

Oval Optic (35°x55°)

Oval Optic (55°x35°)



DuroSite® LED Wallpack / Bulkhead Fixture

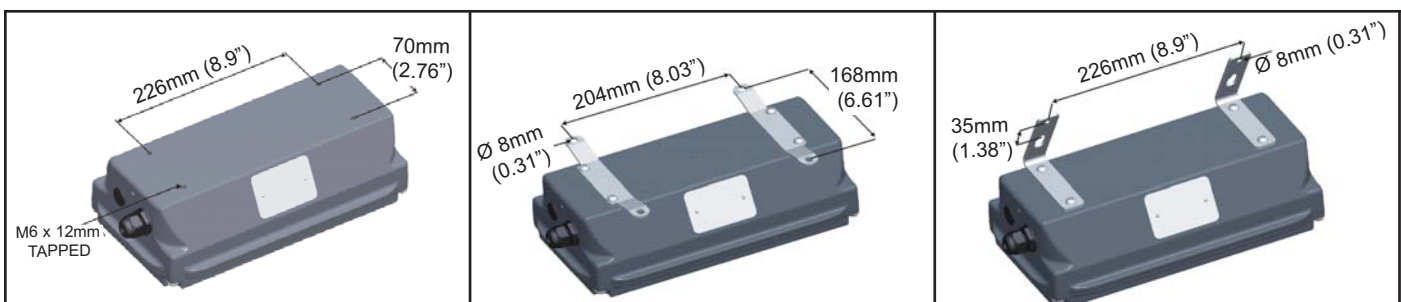
Mounting Options & Accessories

	Part Number	Description	Kit Includes	WE2	WE4	WE5
	WP-BRKT-SS-ADJ	Adjustable bracket	Bracket to fixture hardware	•	•	
	WP-STMB-LG00-22	1 1/2" BSP threaded straight stanchion mounting bracket	EPDM gasket applied 2 M6 grub screws			•
	WP-STMB-LG00-24	1 1/2" NPT threaded straight stanchion mounting bracket	EPDM gasket applied 2 M6 grub screws			•
	WP-STMB-LG25-22	1 1/2" BSP threaded 25 degree stanchion mounting bracket	EPDM gasket applied 2 M6 grub screws			•
	WP-STMB-LG25-24	1 1/2" NPT threaded 25 degree stanchion mounting bracket	EPDM gasket applied 2 M6 grub screws			•
	WP-STMB-LG85-22	1 1/2" BSP threaded 85 degree stanchion mounting bracket	EPDM gasket applied 2 M6 grub screws			•
	WP-STMB-LG85-24	1 1/2" NPT threaded 85 degree stanchion mounting bracket	EPDM gasket applied 2 M6 grub screws			•
	WP-STMB-LG85-50	Non threaded bore 34mm diameter	EPDM gasket applied 2 M6 grub screws			•
	WP-STMB-LG85-60	Non threaded bore 38mm diameter	EPDM gasket applied 2 M6 grub screws			•
	WP-BRKT-LG-PF	Pipe and flush bracket	Bracket to fixture hardware	•	•	•
	WP-RECESS-WH	Recessed housing	Recessed housing Bracket to fixture hardware	•	•	•

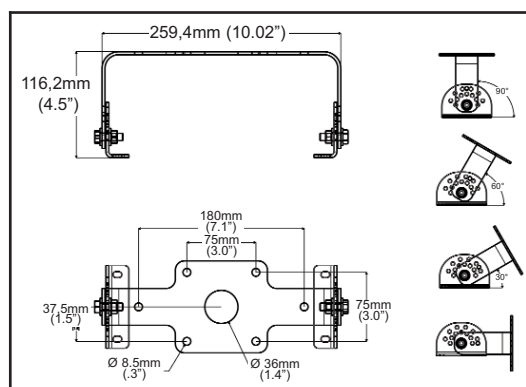
Without Bracket

Flush Bracket

30° Angle Bracket











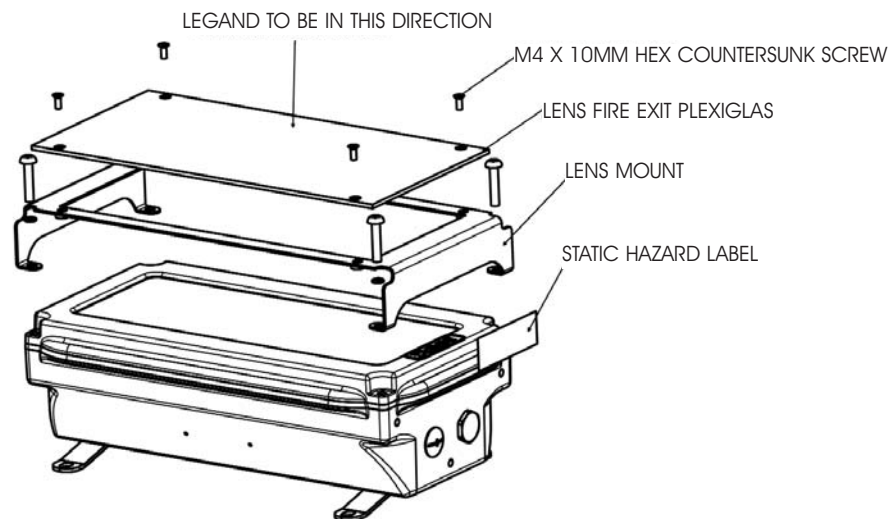
Adjustable bracket



DuroSite® LED Wallpack / Bulkhead Fixture

Emergency Sign Options

	Part Number	Description	Kit Includes
	WP-LM-FE-TUM	Fire exit, man, arrow up	Emergency sign Sign bracket Mounting hardware
	WP-LM-FE-TRM	Fire exit, man, arrow right	Emergency sign Sign bracket Mounting hardware
	WP-LM-FE-TLM	Fire exit, man, arrow left	Emergency sign Sign bracket Mounting hardware
	WP-LM-FE-TDM	Fire exit, man, arrow down	Emergency sign Sign bracket Mounting hardware
	WP-LM-FE-TRM-AU	Man, arrow right	Emergency sign Sign bracket Mounting hardware
	WP-LM-FE-TLM-AU	Man, arrow left	Emergency sign Sign bracket Mounting hardware
	WP-LM-FE-LM-AU	Man left	Emergency sign Sign bracket Mounting hardware
	WP-LM-FE-RM-AU	Man right	Emergency sign Sign bracket Mounting hardware



Dialight reserves the right to make changes at any time in order to supply the best product possible. The most current version of this document will always be available at: www.dialight.com/Assets/Brochures_And_Catalogs/Illumination/MDEXWPXW001.pdf

Warranty Statement: EXCEPT FOR THE WARRANTY EXPRESSLY PROVIDED FOR [HEREIN/ABOVE/BELOW], DIALIGHT DISCLAIMS ANY AND ALL OTHER WARRANTIES, EXPRESS OR IMPLIED, INCLUDING, WITHOUT LIMITATION, ANY WARRANTIES OF MERCHANTABILITY, FITNESS FOR A PARTICULAR PURPOSE, TITLE, AND NON-INFRINGEMENT